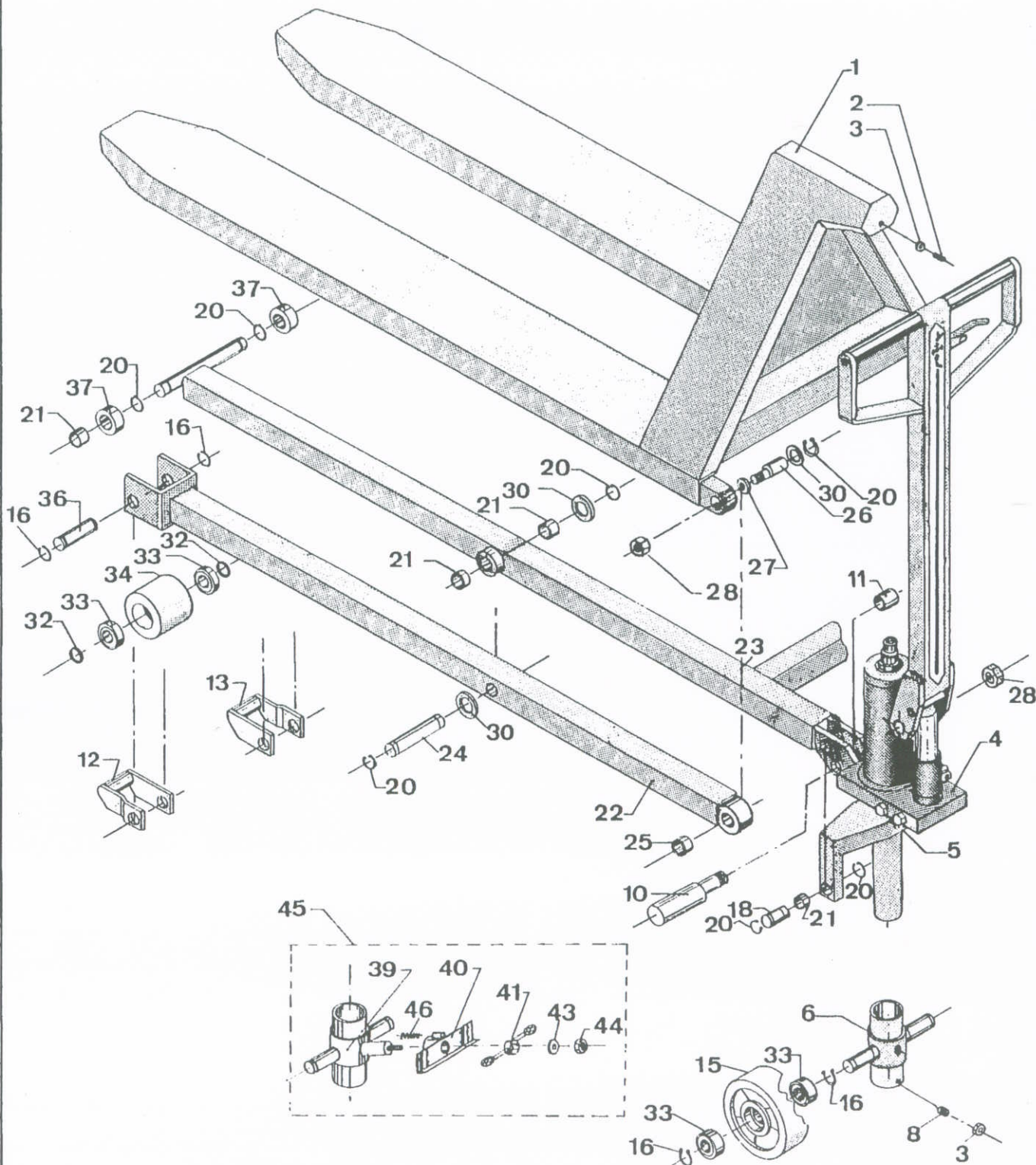


HL 1000/1

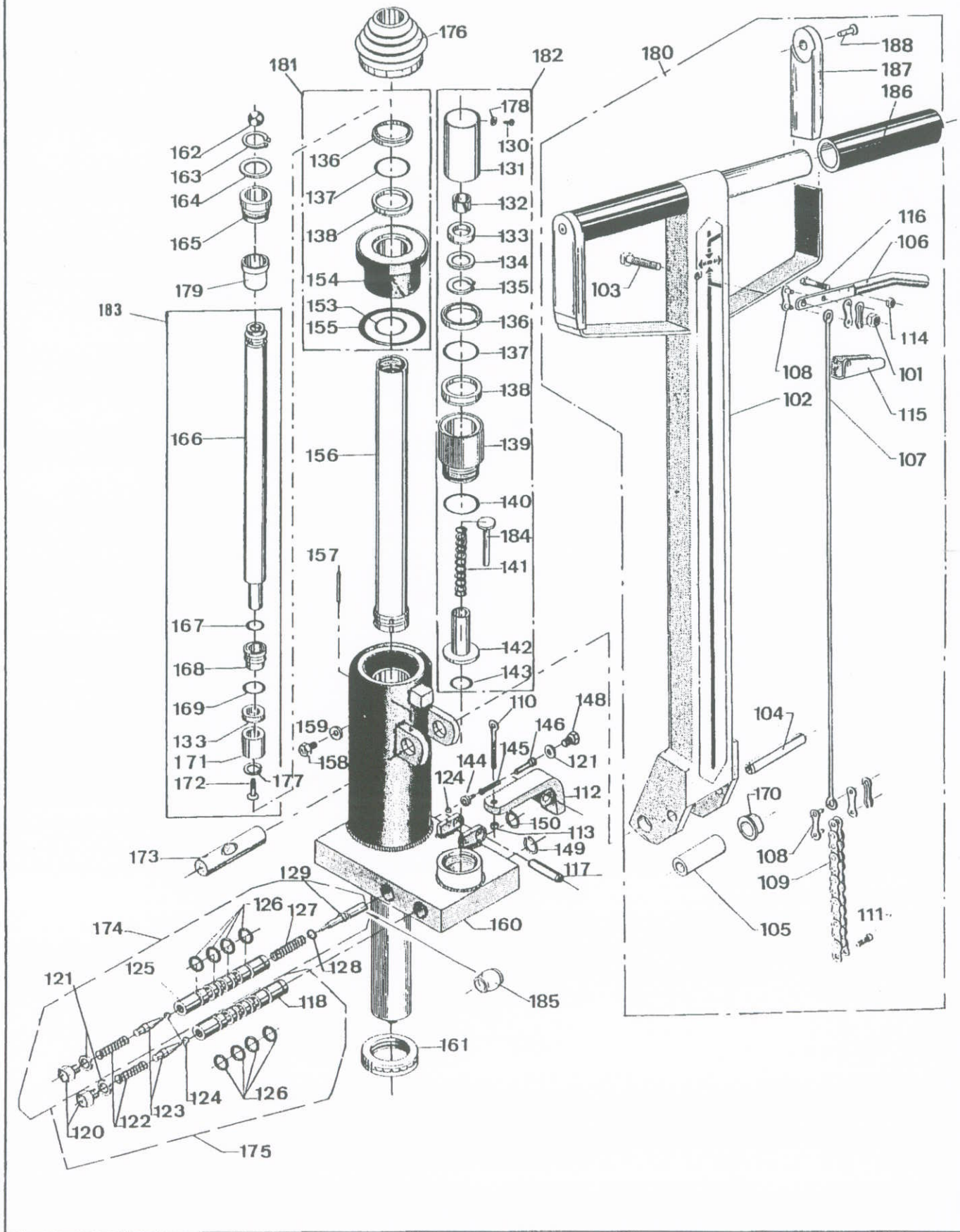


Spare-parts list

890601

Part	Order no.	DESIGNATION	Pcs.
1	300718	Chassis	1
2	910825	Screw	1
3	922080	Nut	2
4	170010	Pump w/lever, cpl.	1
5	300748	Thrust plate	1
6	300729	Wheel holder, cpl.	1
8	910816	Pointed screw	1
10	400751	Supporting leg	2
11	400752	Spacer pipe	2
12	400753V	Thrust pad, left	1
13	400753H	Thrust pad, right	1
15	400713	Steering wheel, nylon	2
15	400757	Steering wheel, vulkol.	2
16	933200	Locking ring	8
18	400754	Pin	2
20	933220	Locking ring	14
21	948221	Bushing	10
22	400721	Leg	2
23	400722	Leg	1
24	400750	Scissor-leg shaft	2
25	948223	Bushing	2
26	400704	Eccentric pin	2
27	400717	Washer	2
28	921160	Nut	2
30	926221	Washer	6
32	400159	Spacer pipe	4
33	946242	Ball bearings	10
34	400709	Fork wheel, nylon	2
34	400756	Fork wheel, vulkollan	2
36	400712	Wheel axle	2
37	400773	Fork roll	4
Wheel holder with brake cpl.			
39	300728	Wheelholder	1
40	400780	Brake plate	1
41	400782	Brake pedal	1
43	924100	Washer	1
44	922101	Nut	1
45	170030	Brake cpl.	1
46	958081	Spring	1

HL 1000/1



List of spare parts The hydraulic unit 170010

890601

Part	Order no.	Designation	Units	Part	Order no.	Designation	Units
101	921060	Nut	1	153	900420	O-ring★	1
102	200039	Pull rod	1	154	400654	Top section	1
103	915635	Screw	1	155	900690	O-ring★	1
104	931270	Pipe pin	1	156	400653	Lifting piston	1
105	400116	Roller	1	157	931440	Pipe pin	1
106	400117	Release lever	1	158	400658	Valve screw	1
107	400499	Release rod	1	159	905101	Plug gasket★	1
108	951001	Chain connector	2	160	300753	Pump housing	1
109	951002	Chain	1	161	945045	Pressure bearing	1
110	919540	Chain bolt	1	162	941020	Steel ball	1
111	912412	Screw	1	163	933250	Locking ring	1
112	400122	Release arm cpl.	1	164	926250	Steel washer	1
113	921050	Nut	1	165	400668	Bronze guide	1
114	921050	Nut	1	166	400656	Piston rod	1
115	400118	Release pawl	1	167	900140	O-ring★	1
116	915525	Screw	1	168	400669	Gasket ring	1
117	931136	Pipe pin	1	169	900220	O-ring★	1
118	400660	Valve insert	1	170	400276	Nylon bushing	2
120	915112	Screw	2	171	400670	Piston	1
121	905100	Gasket ring★	3	172	919116	Screw	1
122	958080	Spring	2	173	400675	Lever shaft	1
123	400103	Release valve	2	174	400673	Valve insert	1
124	941005	Steel ball	3	175	400672	Valve insert cpl.	1
125	400028	Valve insert	1	176	906770	Rubber sleeve	1
126	900110	O-ring★	8	177	925101	Washer	1
127	958081	Spring	1	178	905030	Washer★	1
128	900050	O-ring★	1	179	400897	Bronze bushing	1
129	400107	Release indicator	1	180	200139	Pull rod cpl.	1
130	916310	Screw	1	181	170040	Top section cpl.	1
131	400655	Pump piston	1	182	170041	Hydraulic unit	1
132	400676	Guide ring★	1	183	170042	Piston rod cpl.	1
133	901202	Sleeve★	2	184	400679	Springguide	1
134	400667	Steel washer	1	185	906710	Rubber bush★	1
135	934300	Locking ring	1	186	400175	Pull rod pipe black	2
136	908350	Scraper ring★	2	187	400887	Pull rod pipe orange	2
137	900350	O-ring★	2	188	919620	Screw	2
138	901351	Sleeve★	2		170050	Gaskets set cpl.	1
139	400659	Pump cylinder	1				
140	900410	O-ring★	1				
141	958141	Spring	1				
142	400657	High-pressure piston	1				
143	900190	O-ring★	1				
144	400878	Ball Guide	1				
145	958083	Spring	1				
146	400671	Adjusting screw	1				
148	915112	Screw	1				
149	933160	Locking ring	1				
150	933160	Locking ring	1				

All ★-marked parts are included in gasket set cpl.