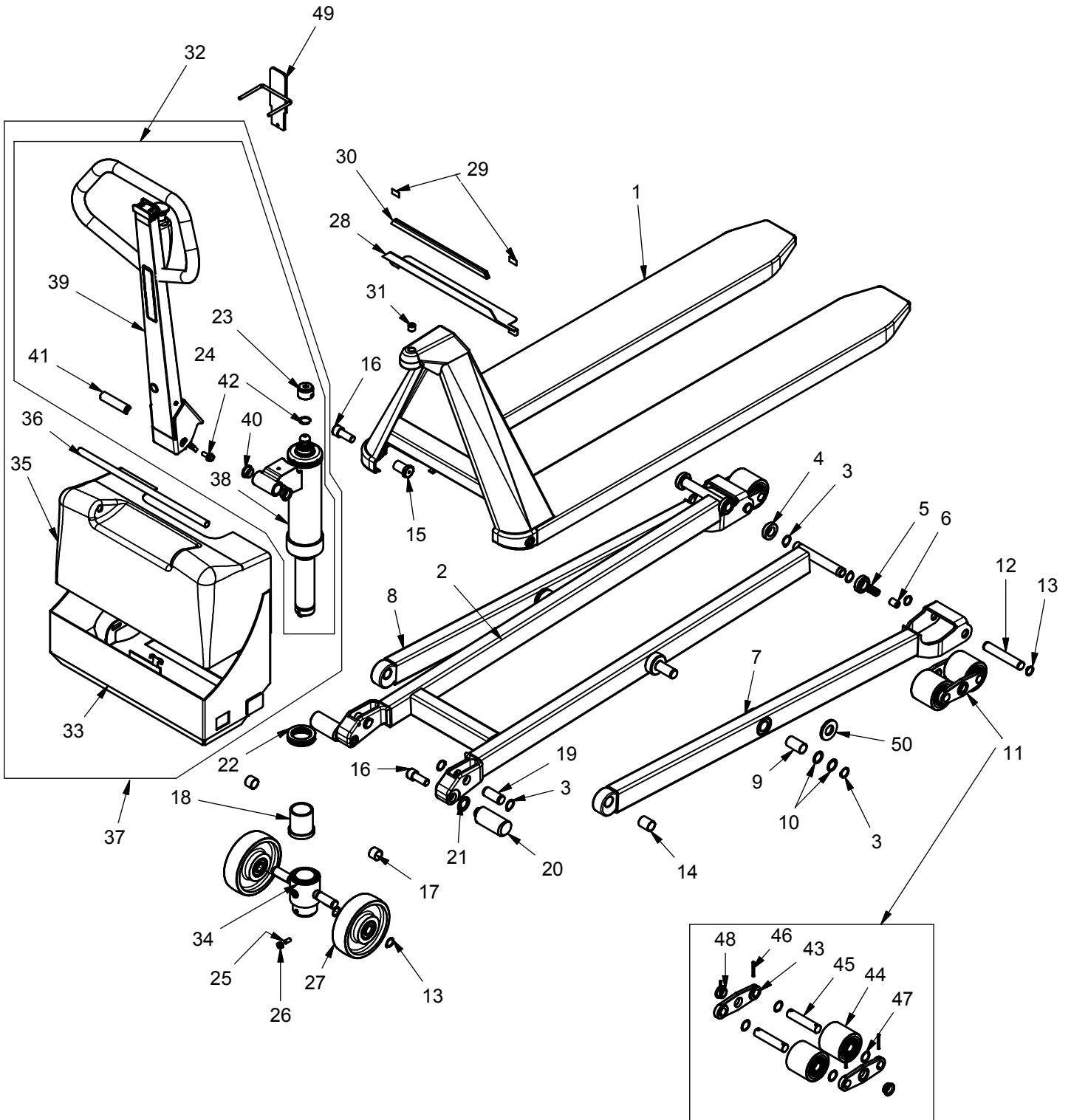


EHL 1004 chassis



Spare Parts List		EHL	Chassis S694	15-03-13	1/3
Pos.	Part no.	Benævnelse	Description	Benennung	Pcs.
1	425050-1	Chassis 480x700	Chassis 480x700	Chassis 480x700	1
	425050-2	Chassis 480x900	Chassis 480x900	Chassis 480x900	
	425050-3	Chassis 480x1200	Chassis 480x1200	Chassis 480x1200	
	425050-4	Chassis 480x1520	Chassis 480x1520	Chassis 480x1520	
	425052-1	Chassis 540x700	Chassis 540x700	Chassis 540x700	
	425052-2	Chassis 540x900	Chassis 540x900	Chassis 540x900	
	425052-3	Chassis 540x1200	Chassis 540x1200	Chassis 540x1200	
	425052-4	Chassis 540x1520	Chassis 540x1520	Chassis 540x1520	
	425052-5	Chassis 540x2000	Chassis 540x2000	Chassis 540x2000	
	425053-1	Chassis 680x700	Chassis 680x700	Chassis 680x700	
	425053-2	Chassis 680x900	Chassis 680x900	Chassis 680x900	
	425053-3	Chassis 680x1200	Chassis 680x1200	Chassis 680x1200	
	425053-4	Chassis 680x1520	Chassis 680x1520	Chassis 680x1520	
	425053-5	Chassis 680x2000	Chassis 680x2000	Chassis 680x2000	
	2	425100-1	Dobb. ben 480x700	Double leg 480x700	
425100-2		Dobb. ben 480x900	Double leg 480x900	Doppelbein 480x900	
425100-3		Dobb. ben 480x1200	Double leg 480x1200	Doppelbein 480x1200	
425100-4		Dobb. ben 480x1520	Double leg 480x1520	Doppelbein 480x1520	
425102-1		Dobb. ben 540x700	Double leg 540x700	Doppelbein 540x700	
425102-2		Dobb. ben 540x900	Double leg 540x900	Doppelbein 540x900	
425102-3		Dobb. ben 540x1200	Double leg 540x1200	Doppelbein 540x1200	
425102-4		Dobb. ben 540x1520	Double leg 540x1520	Doppelbein 540x1520	
425102-6		Dobb. ben 540x2000 90 mm	Double leg 540x2000 90 mm	Doppelbein 540x2000 90 mm	
425103-1		Dobb. ben 680x700	Double leg 680x700	Doppelbein 680x700	
425103-2		Dobb. ben 680x900	Double leg 680x900	Doppelbein 680x900	
425103-3		Dobb. ben 680x1200	Double leg 680x1200	Doppelleg 680x1200	
425103-4	Dobb. ben 680x1520	Double leg 680x1520	Doppelbein 680x1520		
425103-6	Dobb. ben 680x2000 90 mm	Double leg 680x2000 90 mm	Doppelbein 680x2000 90 mm		
3	933220	Låsering	Locking ring	Schliessring	10
4	425407	Gaffelrulle	Fork roller	Gabelrolle	4
5	958206	Trykfeder	Compression spring	Druckfeder	2
6	402489	Støtteklods	Support stud	Stützteil	2
7	425109-1-1V	Enkelt ben V kpl 700	Single leg L cpl. 700	Einzelbein kpl. L 700	1
	425109-2-1V	Enkelt ben V kpl 900	Single leg L cpl. 900	Einzelbein kpl. L 900	
	425109-3-1V	Enk. ben kpl 1200 HL1004	Single leg cpl 1200 HL1004	Einzelbein kpl 1200 HL1004	
	425109-4-1V	Enkeltben venstre kpl 1520	Single leg left cpl. 1520	Einzelbein links Kpl. 1520	
	425109-6-1V	Enk. ben 2000 HL1004 Lav	Single leg 2000 HL1004 low	Einzelbein 2000 HL1004 niedri	
8	425109-1-1H	Enkelt ben H kpl 700	Single leg R cpl. 700	Einzelbein kpl. R 700	1
	425109-2-1H	Enkelt ben H kpl 900	Single leg R cpl. 900	Einzelbein kpl. R 900	
	425109-3-1H	Enk. ben kpl 1200 HL1004	Single leg cpl 1200 HL1004	Einzelbein kpl 1200 HL1004	
	425109-4-1H	Enk. ben kpl 1520 højre side	Single leg cpl. 1520 right	Einzelleg, Kpl. 1520 HL1004	
	425109-6-1H	Enk. ben 2000 HL1004 Lav	Single leg 2000 HL1004 low	Einzelbein 2000 HL1004 niedri	
9	425409	Bøsning	Bushing	Buchse	2
10	926221	Skive	Washer	Scheibe	4
11	404061	Tandem kpl. Ø75 sort nylon	Tandem, cpl. Ø75 Nylon	Tandem/Kpl/Ø75 Nylon	2
	404008	Tandem kpl. Ø75, polyurethan	Tandem cpl. Ø75, polyurethan	Tandem Kpl. Ø75, Polyurethan	
	404009	Tandem kpl. Ø75, vulkollan	Tandem cpl. Ø75, vulkollan	Tandem Kpl. Ø75, Vulkollan	
	404010	Tandem kpl. Ø75, stål	Tandem cpl. Ø75, steel	Tandem Kpl. Ø75, Stahl	
12	425406	Hjulaksel	Wheel axle	Radachse	2
13	933200	Låsering	Locking ring	Schliessring	8
14	401062	Bøsning	Bushing	Buchse	2
15	425400	Møtrik	Nut	Mutter	2
	425431	Excentrisk møtrik "2000/90mm"	Eccentric nut "2000/90mm"	Excentrische Mutter 2000/90mm	
16	919640	Skrue	Screw	Schraube	4
17	401061	Nylonbøsning	Nylon bushing	Nylonbuchse	2
18	401603	Bøsning	Bushing	Buchse	1
19	400754	Aksel	Axle	Achse	2
	425430	Aksel	Axle	Achse	2

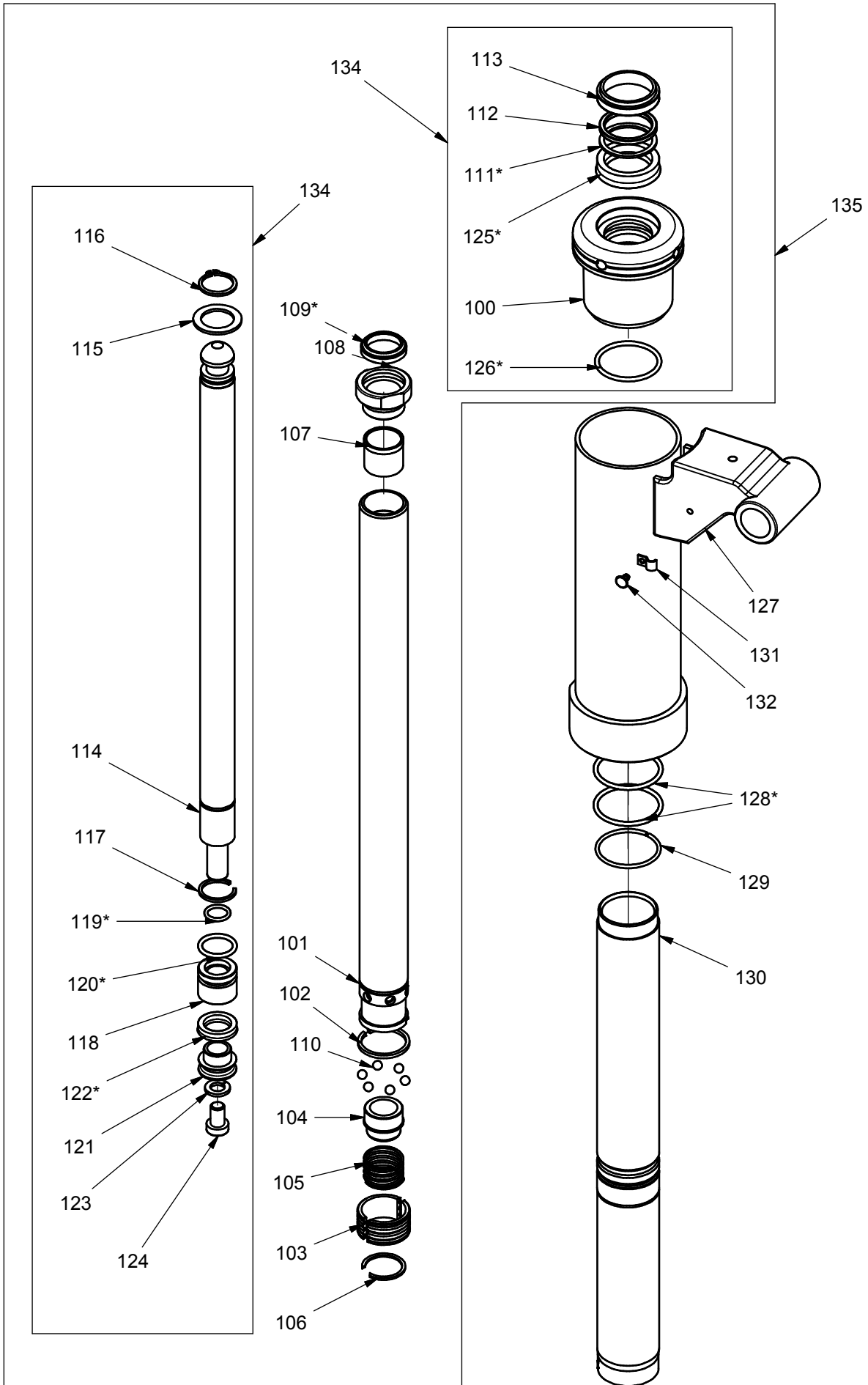
Spare Parts List		EHL	Chassis S694	15-03-13	2/3
Pos.	Part no.	Benævnelse	Description	Benennung	Pcs.
20	425403	Støtterulle	Support leg	Stütze	2
	425404	Støtterulle "1520"	Support legs "1520"	Stütze "1520"	
21	925123	Stjerneskiye	Toothed washer	Sternscheibe	2
22	945045	Trykleje	Thrust bearing Ø45xØ65x14	Drucklager	1
23	425401	Kuglesæde	Ball socket	Kugelfassung	1
24	935227	Springring	Spring ring	Springring	1
25	910816	Pinolskrue	Pointed screw	Reitstockschrabe	1
26	922080	Møtrik	Nut	Mutter	1
27	400713	Styrehjul nylonhjul Ø150	Steering wheel, nylon Ø150	Lenkräder Nylon Ø150	2
	400713L	Styrehjul nylon Ø150 M/L	Steering wheel nylon Ø150 W/B	Lenkrad Nylon Ø150 M/L	
	401096	Styrehjul stål Ø150x38	Steering wheel, steel, Ø150x38	Lenkrad Stahl Ø150x38	
	401578L	Styrehjul polyurethan m/lejer	Steering wheel poly. w/bearing	Lenkrolle Polyurethan m/Lager	
	400757L	Styrehjul vulkollan Ø150 m/l	Steering wheel, vulk. Ø150 w/b	Lenkrad, Vulkollan Ø150 m/L	
	400783	Styrehjul/480 nylon Ø150	Steering wheel/480, nyl., Ø150	Lenkrad/480, Nylon Ø150	
	400760L	Styrehjul/480 vulkol. Ø150 m/l	Steering wheel/480 vulk. Ø150	Lenkrad/480, Vulk. Ø150 m/l	
	403806	Styrehjul 480 poly	Steering wheel 480 poly	Lenkrad 480 Poly	
	401885	Styrehjul/480 stål Ø150x35	Steer. wheel/480 steel Ø150x35	Lenkrad/480, Stahl Ø150x35	
	401758	Styrehjul Ø150 anti-statisk	Steering Wheel Vul.Ø150 A-sta.	Lenkrolle Vul Ø150 A/statisch	
401758D	Styrehjul/480Ø150 anti statisk	Steering wheel/480 Anti static	Lenkrad/480 Ø150 Anti statisch		
28	425212	Bakke f/trekant 540	Tray f/triangle 540	Schale f/Dreieck 540	1
	425213	Bakke f/trekant 480	Tray f/triangle 480	Schale f/Dreieck 480	
	425214	Bakke f/trekant 680	Tray f/triangle 680	Schale f/Dreieck 680	
29	993210	Klæbepude	Adhesive pad	Klebestreifen	2
30	889115	U-Gummiprofil	Rubber profile	Gummiprofil	1
31	910616	Pinolskrue	Pointed screw	Reitstockschrabe	1
32	170457-1-6	EHL Cylinder kpl m håndtag 700	EHL Cylinder cpl w handle 700	EHL Zylinde Kpl m/Deichsel 700	1
	170457-2-6	EHL Cylinder kpl m håndtag 900	EHL Cylinder cpl w handle 900	EHL Zylinde Kpl m/Deichsel 900	
	170457-3-6	EHL cylinder kpl m håndtag1200	EHL Cylinder cpl w handle 1200	EHL Zylinde kpl mDeichsel 1200	
33	425000-1	Pumpechassis 480	Pump chassis 480	Pumpenchassis 480	1
	425000-2	Pumpechassis 540	Pump chassis 540	Pumpenchassis 540	
	425000-3	Pumpechassis 680	Pump chassis 680	Pumpenchassis 680	
34	401608	Hjulholder kpl.	Wheel holder cpl.	Radhalter Kpl.	1
35	425460	Batteriskærm, kpl.	Battery cover, cpl.	Batteriedeckel, Kpl,	
36	420235	Plastrør	Plastic tube	Kunststoffrohr	4
37	170452-1	Pumpechassis kpl. 480x700	Pump chassis 480x700	Pumpenchassis kpl. 480x700	1
	170452-2	Pumpechassis kpl. 480x900	Pump chassis cpl. 480x900	Pumpenchassis Kpl. 480x900	
	170452-3	Pumpechassis Kpl. 480x1200	Pump chassis cpl. 480x1200	Pumpenchassis Kpl. 480x1200	
	170453-1	Pumpechassis kpl. 540x700	Pump chassis cpl. 540x700	Pumpenchassis Kpl. 540x700	
	170453-2	Pumpechassis kpl. 540x900	Pump chassis cpl. 540x900	Pumpenchassis Kpl. 540x900	
	170453-3	Pumpechassis kpl. 540x1200	Pump chassis cpl. 540x1200	Pumpenchassis Kpl. 540x1200	
	170454-1	Pumpechassis kpl. 680x700	Pump chassis cpl. 680x700	Pumpenchassis Kpl. 680x700	
	170454-2	Pumpechassis kpl. 680x900	Pump chassis cpl. 680x900	Pumpenchassis Kpl. 680x900	
170454-3	Pumpechassis kpl. 680x1200	Pump chassis cpl. 680x1200	Pumpenchassis Kpl. 680x1200		
38	170451-1	Cylinder kpl. 700	Cylinder cpl. 700	Zylinder Kpl. 700	1
	170451-2	Cylinder kpl. 900	Cylinder cpl. 900	Zylinder Kpl. 900	
	170451-3	Cylinder kpl. 1200,1520,2000	Cylinder cpl. 1200,1520,2000	Zylinder Kpl. 1200,1520,2000	
39	420039	Håndtag kpl.	Handle cpl.	Deichsel kpl.	1
40	404062	Bøsning	Bushing with flange	Buchse	2
41	420149	Håndtagsaksel	Handle axle	Deichselachse	8
42	919820	RH skrue	RH Screw M8x20	Schraube	1
43	404060	Beslag	Tandem bracket	Beschlag	4

Spare Parts List**EHL****Chassis S694****15-03-13 3/3**

Pos.	Part no.	Benævnelse	Description	Benennung	Pcs.
44	404003	Tandem Ø75x68 Nyl. sort	Tandem Ø75x68 Nyl. black	Tandem Ø75x68 Nyl. schwa.	4
	404004	Tandem Ø75x68 Polyurethan	Tandem Ø75x68 Polyurethan	Tandem Ø75x68 Polyurethan	
	404005	Tandem Ø75x68 Vulkollan	Tandem Ø75x68 Vulkollan	Tandem Ø75x68 Vulkollan	
	404006	Tandem Ø75x68 stål	Tandem Ø75x68 steel	Tandem Ø75x68 Stahl	
	404003L	Tandemhjul Ø75 Nylon sort m/l	Tandem wheels Ø75 Nylon b. m/b	Tandem Ø75 Nylon schwarz m/L	
	404004L	Tandem Ø75 Poly. m/lejer	Tandem Ø75 poly with bearing	Tandem Ø75 Poly. m/Lager	
	404005L	Tandemhjul Ø75 Vulk. m/lejer	Tand. wheel Ø75 vul with bear.	Tandemrollen Ø75 Vulk. m/Lager	
	404006L	Tandem Ø75 stål m/lejer	Tandem Ø75 steel with bearing	Tandem Ø75 Stahl m/Lager	
45	400162	Tandemaksel	Tandem axle	Achse für Tandem	4
46	931440	Rørstift	Straight Pin Ø4x40 Iso 8752	Rohrstift	8
47	929200	Bølgeskive	Wave Washer Ø27xØ21x0.3	Scheibe	8
48	404062	Bøsning	Bushing with flange	Buchse	4
49	425471	Kabelskærm for fjernbetjening	Cable guard for remote control	Kabelabschirmung Fernbedienung	1
50	425427	Afstandsskive (kun 1520/2000)	Washer (Only 1520/2000)	Abstandhalter (Nur 1520/2000)	1

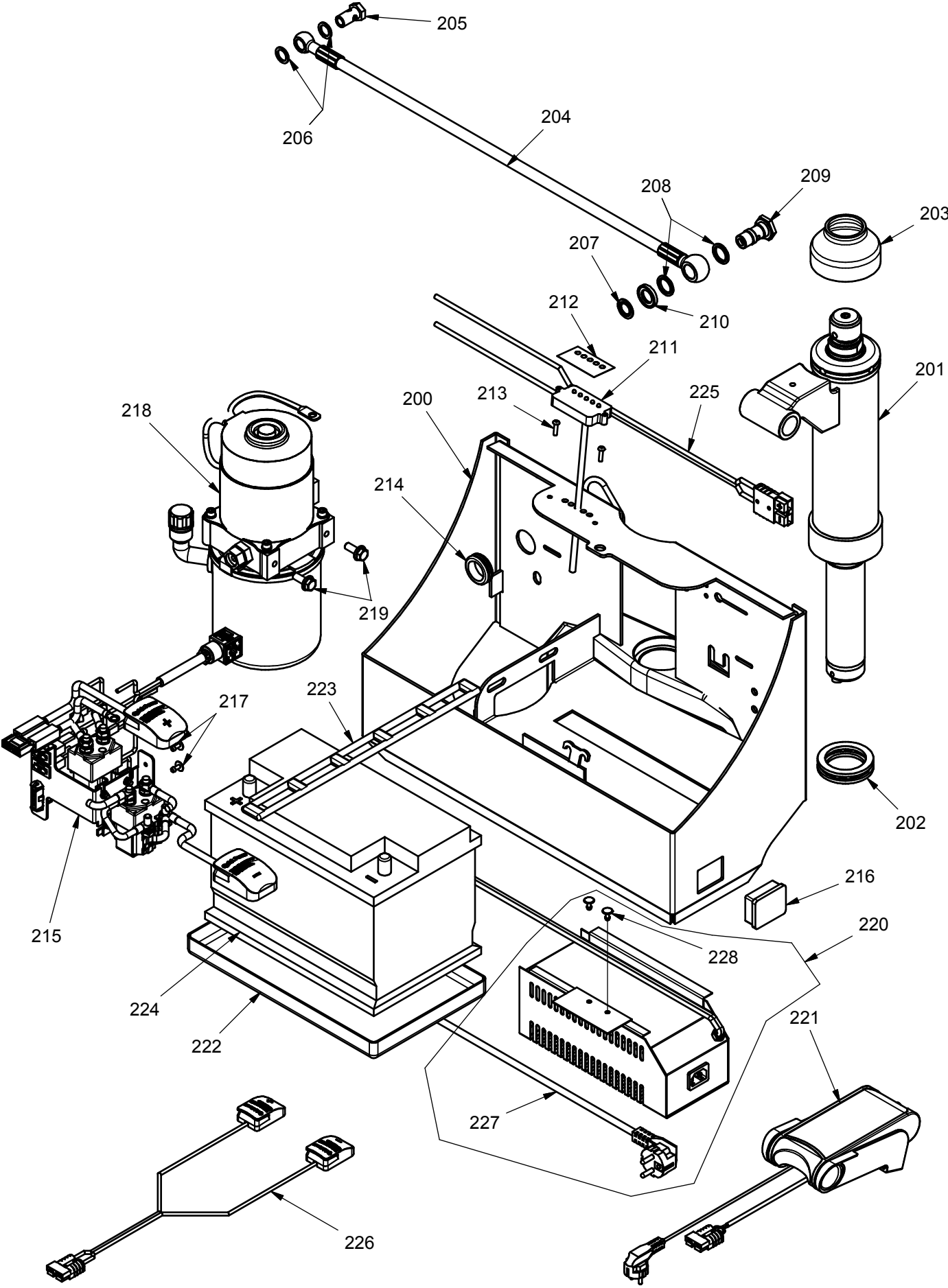
EHL1004

Cylinder



Spare Parts List		EHL	S695_Cylinder	18-04-12	
Pos.	Part no.	Benævnelse	Description	Benennung	Pcs.
100	403959E	Topstykke	Top section f/HL	Zylinderkopf	1
101	403961	Løftecylinder	Lifting cylinder	Hubzylinder	1
102	425421	Sikringsring	Locking ring	Sicherungsring	1
103	403963	Bronzestempel	Bronze piston	Bronzestempel	1
104	400910	Kuglestop f/HL	Ball stop f/HL	Kugelstopp f/HL	1
105	958028	Trykfjeder	Spring D1,50 Du:28,7 Lo:18	Druckfeder	1
106	935460	Sikringsring	Locking ring	Sicherungsring	1
107	400897	Bronzebøsning	Bronze bushing	Bronzebuchse	1
108	403955	Bronzeføring	Bronze guide	Bronzeführung	1
109*	901205	Manchet	Sleeve	Manschette	1
110	941006	Kugle	Ball Ø6,5 G28	Kugel	6
111*	900352	Backupring	Backup ring	Backup-Ring	1
112	900351	Quad ring	Quad ring	Quad Ring	1
113	908350	Skrabering	Scraper ring	Abstreifring	1
114	425402	Stempelstang 1200	Pistonrod 1200	Stempelstange 1200	1
115	425415	Skive	Washer	Scheibe	1
116	933242	Låsering	Locking ring	Schliessring	1
117	935227	Springring	Spring ring	Springring	1
118	403957	Stempel	Piston	Stempel	1
119*	900140	O-ring	O-ring	O-Ring	1
120*	900220	O-ring	O-ring	O-Ring	1
121	403958	Stempel f/kugle	Piston f/ball	Stempel f/Kugel	1
122*	901204	Manchet	Sleeve	Manschette	1
123	925101	Fjederskive	Spring washer	Federscheibe	1
124	919116	Skrue	Screw	Schraube	1
125*	901350	U-Manchet	U-sleeve	U-Manschette	1
126*	900420	O-ring	O-ring	O-Ring	1
127	425010R	Cylinderhus m. bundrør	Cylinder housing w. bottomcyli	Zylindergehäuse m. bodenzylind	1
128*	900440	O-ring	O-ring	O-Ring	2
129	935450	Springring	Spring ring	Klemmring	1
130	400678	Bundcylinder	Bottom cylinder	Bodenzylinder	1
131	980206	Kabelholder	Cable holder	Kabelhalter	1
132	990045	Popnitte	Pop rivet	Pop-Niet	1
133	170466	Topstykke kpl.	Top section, cpl.	Zylinderkopf, Kpl.	1
134	170465	Stempelstang kpl.	Piston rod, cpl.	Kolbenstange Kpl.	1
135	170056	Teleskopcylinder m/top	Telescopic cylinder with top	Teleskopzylinder m/Top	1
	170053	Pakningssæt for cylinder	Cpl. set of gaskets	Dichtungssatz für Zylinder	1
		Alle *-mærkede dele indgår i pakningssæt f/cylinder	All *-marked parts incl. in gaskets for cylinder	Alle *-gezeichneten Teile sind in Dichtungssatz für Zylinder enthalten	

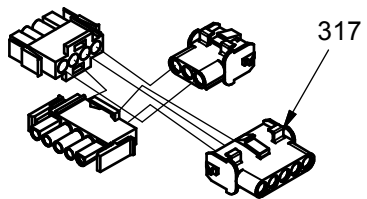
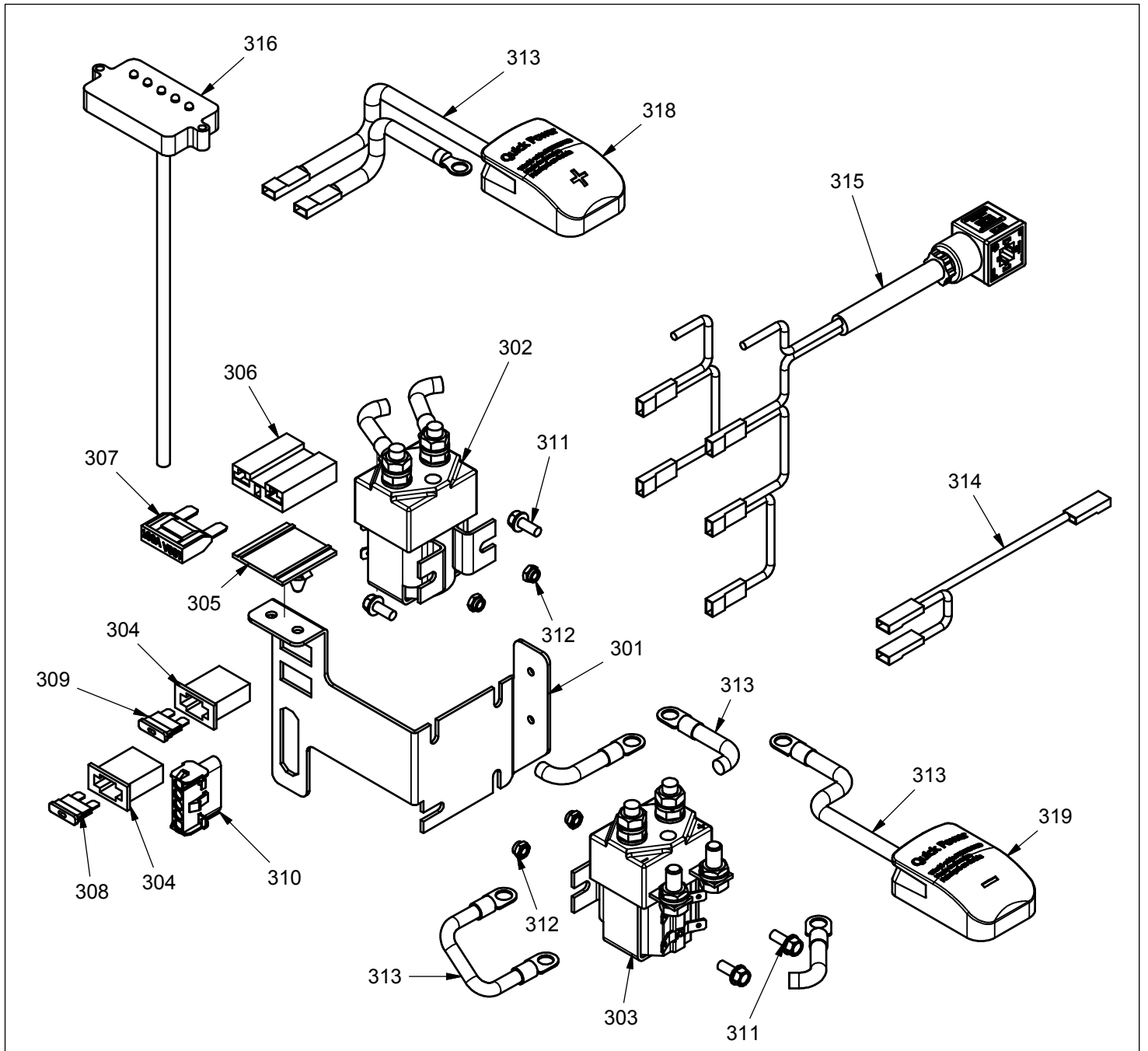
EHL 1004 EI-hydraulic pumpchassis cpl



Spare Parts List EHL S696 EL-hydraulic pump complete 15-03-13

Pos.	Part no.	Benævnelse	Description	Benennung	Pcs.
200	425000-1	Pumpechassis 480	Pump chassis 480	Pumpenchassis 480	1
	425000-2	Pumpechassis 540	Pump chassis 540	Pumpenchassis 540	
	425000-3	Pumpechassis 680	Pump chassis 680	Pumpenchassis 680	
201	170451-1	Cylinder kpl. 700	Cylinder cpl. 700	Zylinder Kpl. 700	1
	170451-2	Cylinder kpl. 900	Cylinder cpl. 900	Zylinder Kpl. 900	
	170451-3	Cylinder kpl. 1200,1520,2000	Cylinder cpl. 1200,1520,2000	Zylinder Kpl. 1200,1520,2000	
202	945045	Trykleje	Thrust bearing Ø45xØ65x14	Drucklager	1
203	425411	Gummi-manchet	Rubber sleeve	Gummi-Manschette	1
204	970926	Hydraulik slange banjobolt	Hydraulic hose banjo bolt	Hydraul. Schlauch Banjebolzen	1
205	971146	Banjobolt	Banjo bolt M14x1.5 DIN 7643-3	Banjebolzen	1
206	905145	Kobberskive	Copper washer	Kupferscheibe	2
207	905167	Tætningsring	Sealing washer	Dichtungsscheibe	1
208	905181	Tætningsskive Usit	Sealing washer	Dichtungsscheibe	2
209	984842	Flowventil ekstern	Flow valve extern ø1.8 mm	Flow-Ventil Extern	1
210	425416	Afstandsskive	Spacer washer	Abstandscheibe	1
211	140367	Batterimonitor 12V	Battery monitor 12V	Batteriemonitor 12V	1
212	991182	Label f/batteriindikator	Label for battery indicator	Aufkleber Batterieladeanzeiger	1
213	916415	Skrue	Screw	Schraube	2
214	980230	Kabelgennemføring	Cable lead-in	Kabeldurchführung	1
215	170455	Relæmodul	Relays module	Relaismodul	1
216	993051	Dupsko	Plastic cover	Plastikdeckel	1
217	990051	Popnitte	Pop rivet	Pop-Niet	2
218	984745	Hydraulik pumpe 0.9 KW	Hydraulic pump HPI 0.9 KW	Hy-Pumpe HPI 0.9 KW	1
219	919820	RH skrue	RH Screw M8x20	Schraube	2
220	986151K	Lader indbygget 12V 8A 230V	Charger built-in 12V 8A 230V	Einbau-Ladegerät 12V 8A 230V	1
221	986150	Lader ekstern 12V 8A 230V	Charger extern 12V 8A 230V	Ladegerät extern 12V 8A 230V	
222	425210	Batteribakke	Battery tray	Batterie-Schale	1
223	425433	Gummistrop f/batteri	Rubber strap for battery	Gummihalteriemmen f/Batterie	1
224	986034	Batteri vedlig. fri 12V 60Ah/5h	Battery Main.free 12V 60Ah/5h	Wartungsfrei 12V60Ah/5h /Säure	1
225	140368	Ladekabel	Charger cable	Ladekabel	1
226	170113	Ladekabel m. quick-polsko	Charg.cable w/quick pole shoe	Ladekabel m. Quick Pol-Schuh	1
227	986125	Ladekabel	Charger cable	Ladekabel	1
228	990051	Popnitte	Pop rivet	Pop-Niet	2

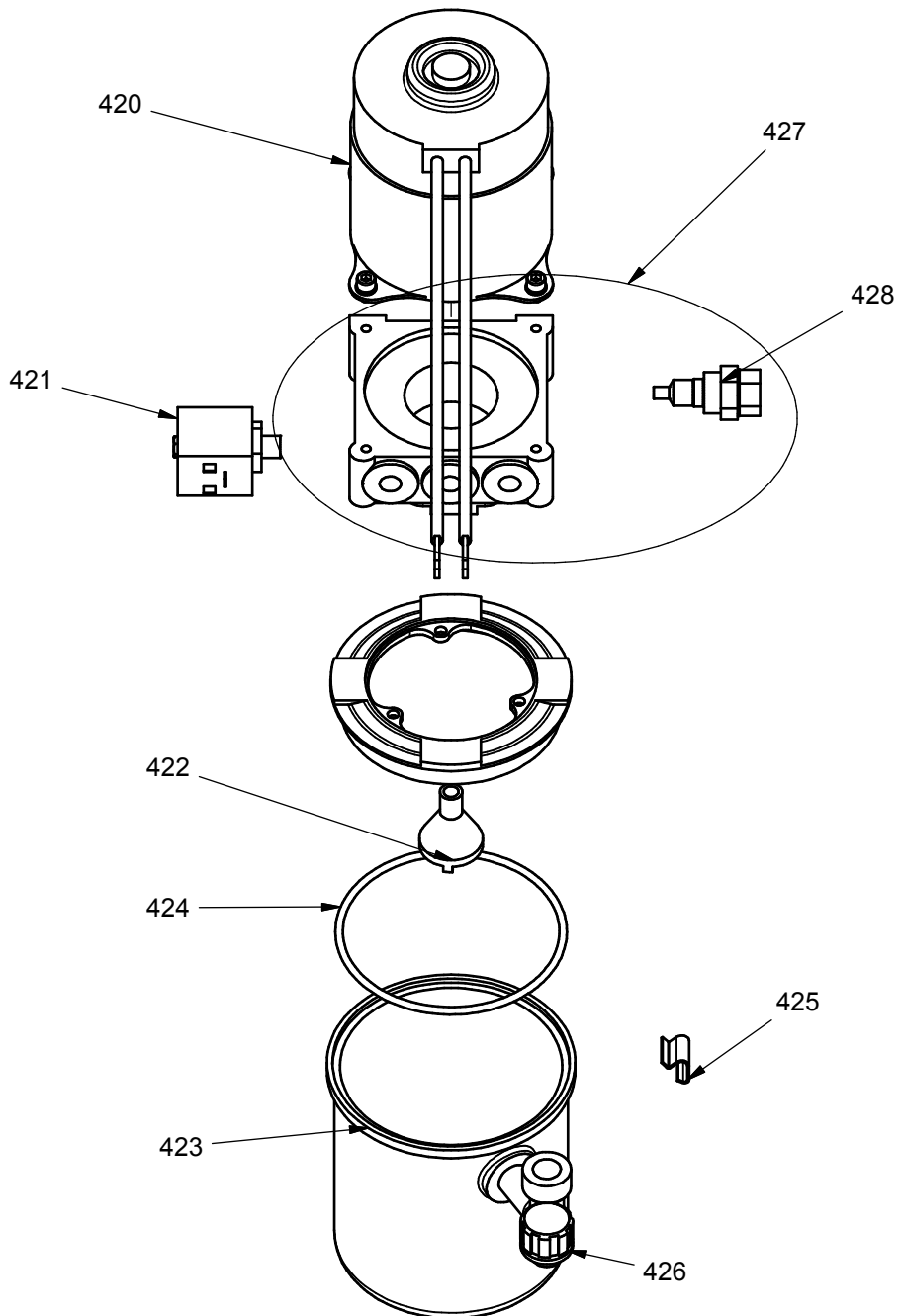
EHL 1004 Relay



300

Spare Parts List EHL 1004			Relay and Fuses S697		15-03-13
Pos.	Part no.	Benævnelse	Description	Benennung	Pcs.
300	170455	Relæmodul	Relays module	Relaismodul	0
301	425208	Relæplade	Relays plate	Relaisplatte	1
302	982183	Relæ, 12V	Relay, 12V	Relais, 12V	1
303	982097	Pumperelæ 12V	Pump relay 12V	Pumpenrelais 12V	1
304	982111	Sikringsholder	Fuse holder	Sicherungshalter	2
305	982112-1	Monteringsplade	Fitting plate	Montierplatte	1
306	982160-1	Sikringsholder	Mega blade fuse holder	Sicherungshalter	1
307	982129	Sikring Maxi Fuse 100A	Maxi Fuse 100A	Sicherung Maxi Fuse 100A	1
308	982124	Sikring 10A	Fuse 10A	Sicherung 10A	1
309	982126	Sikring 20A	Fuse 20A	Sicherung 20A	1
310	982090	Multistik hun	Female multiple plug	Mehrfachstecker weiblich	1
311	913512	Skrue	Screw	Schraube	4
312	921050	Sikringsmøtrik	Lock nut M5 Din 985	Gegenmutter	4
313	140364	Kabelsæt	Set of cables	Kabelsatz	1
314	140365	Ledningssæt	Set of cables	Kabelsatz	1
315	140366	Ledningssæt f/pumpe	Set of cables for pump	Kabelsatz f/Pumpe	1
316	140367	Batterimonitor 12V	Battery monitor 12V	Batteriemonitor 12V	1
317	140370	Adapter f/top.+fjernb.	Adaptor	Adapter	1
318	980010+	Quick-batteripolsko plus	Quick connector plus	Quick Pol-Schuh Plus	1
319	980010-	Quick-batteripolsko Minus	Quick connector minus	Quick Pol-Schuh Minus	1

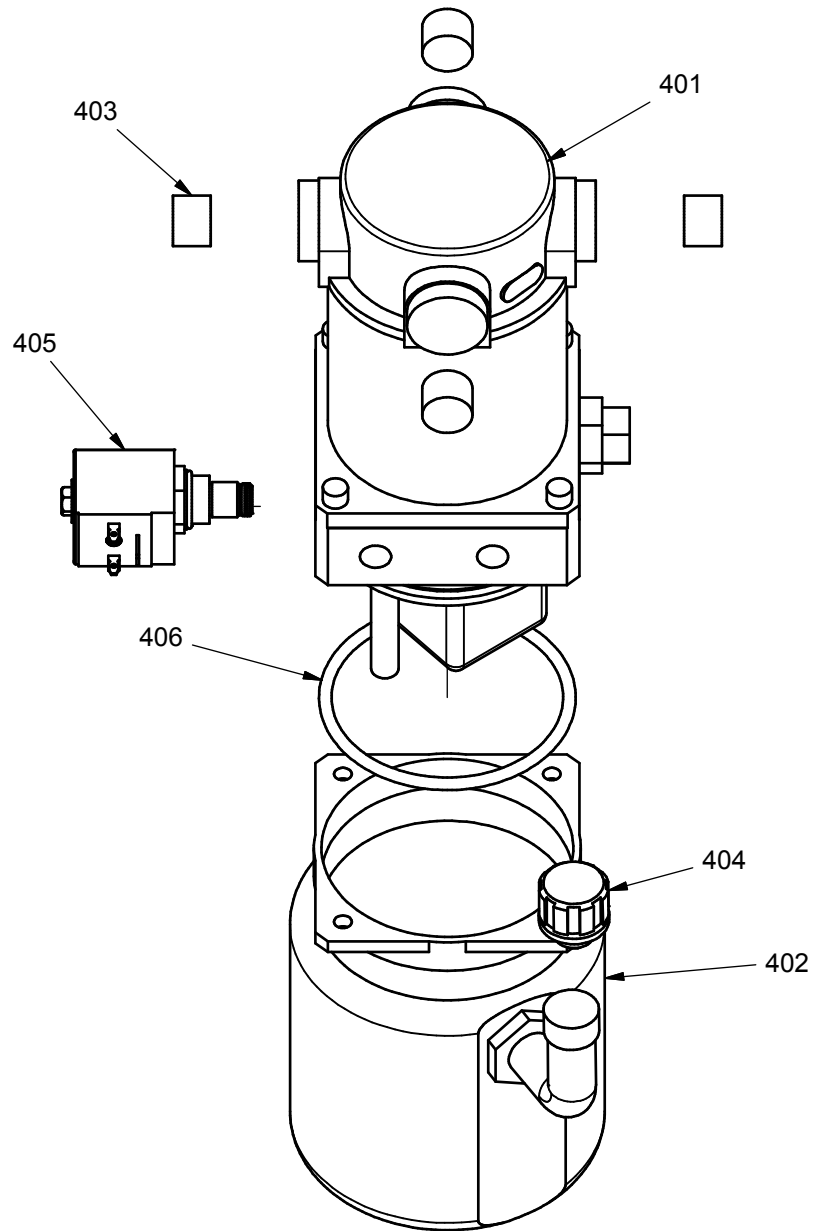
EHL 1004 pump



← 26-09-2011 serial number **113C14090455**

Spare Parts List			EHL		HPI pump S698		14-05-12	
Pos.	Part no.	Benævnelse	Description	Benennung	Pcs.			
420	984845	Motor 12V	Motor 12V	Motor 12V	1			
421	984740	Magnetventil kpl.	Solenoid valve cpl.	Magnetventil Kpl.	1			
422	984804	Sugefilter	Suction strainer	Saugschlauchfilter	1			
423	984701	Oliebeholder HPI 1.5L m/bøjn.	Oil tank HPI 1.5 l.	Ölbehälter HPI 1.5 L	1			
424	984704	O-ring f. flange/tank	O-ring f. flange/tank	O-Ring f. Flansch/Behälter	1			
425	984705	Clips til tank/flange	Clips for oil tank	Scheller für Ölbehälter	1			
426	984810	Påfyldningshætte	Filler cap	Füllschraube	1			
427	984817	Pumpeblok, kit, Hpi 0.75Cc 3G	Pump block, kit, Hpi 0.75Cc 3G	Pumpenblock Kit, Hpi 0.75Cc 3G	1			
428	984833	Overtryksventil	Overpressure valve	Überdruckventil	1			
	890061	1 L Hydraulik olie Iso Vg 15	1 L Hydraulic Oil Iso Vg 15	1 L Hydraulik Öl Iso Vg 15	0,75			

EHL 1004 pump

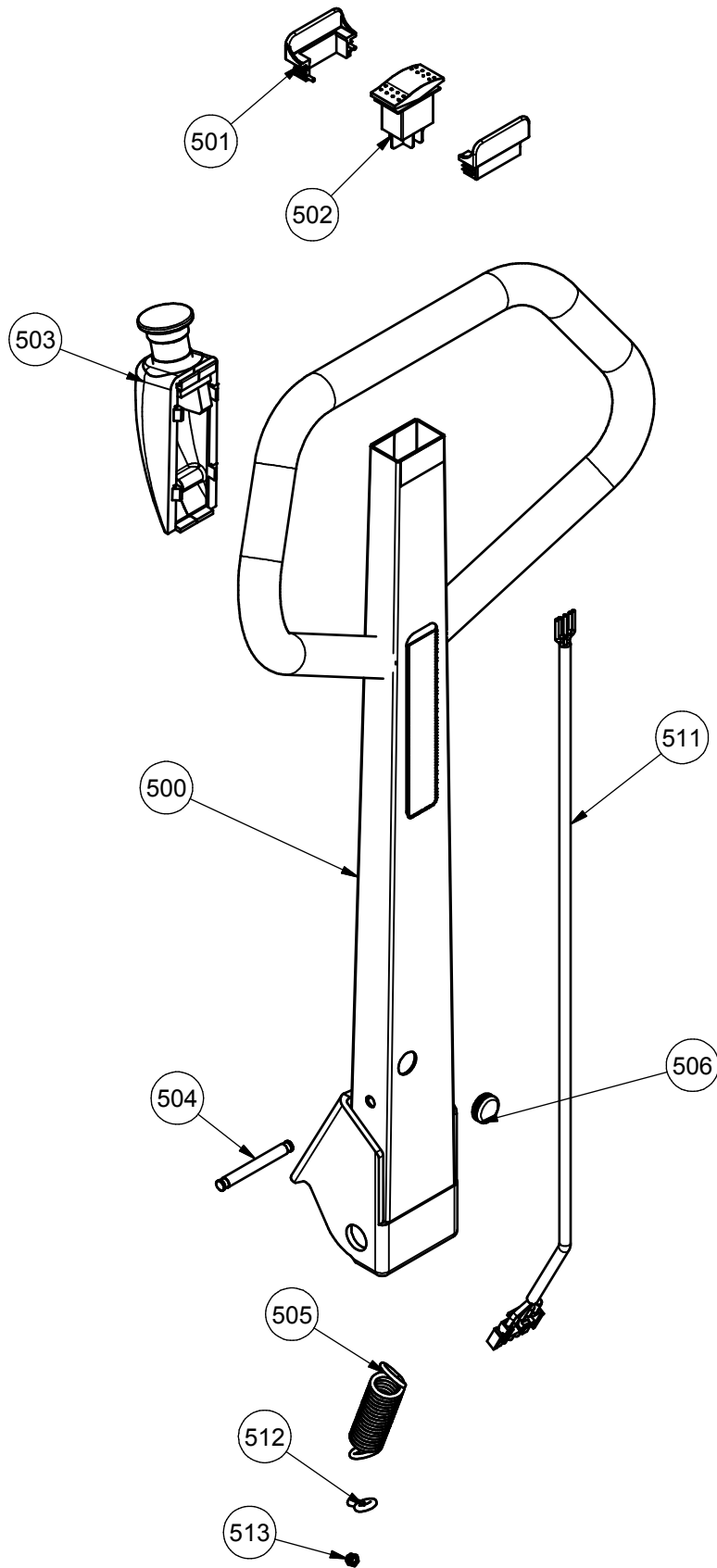


→ 26-09-2011 serial number **113C14090455**

Spare Parts List			EHL		KS Pump S698		15-03-13	
Pos.	Part no.	Benævnelse	Description	Benennung	Pcs.			
400	984760	Hydraulisk pumpe EHL 1004	Hydraulic pump EHL 1004	Hydraulische Pumpe EHL 1004	1			
401	984762	Motor kpl.f/hydr.pumpe EHL1004	Motor cpl.f/hydr.pump EHL1004	Motor Kpl.f/hydr.Pumpe EHL1004	1			
402	984765	Beholder hydr. pumpe EHL1004	Tank f/hydr. pump EHL1004	Behälter f/hydr. Pumpe EHL1004	1			
403	984763	Kulsæt til hydraulisk pumpe	Set of brushes f/hydr. pump	Kohle für hydrau. Pumpe	1			
404	984810	Påfyldningshætte	Filler cap	Füllschraube	1			
405	984740	Magnetventil kpl.	Solenoid valve cpl.	Magnetventil Kpl.	1			
406	984768	O ring KS pump	O ring KS pump	O-Ring	1			
	890061	1 L Hydraulik olie Iso Vg 15	1 L Hydraulic Oil Iso Vg 15	1 L Hydraulik Öl Iso Vg 15	0,75			

EHL1004

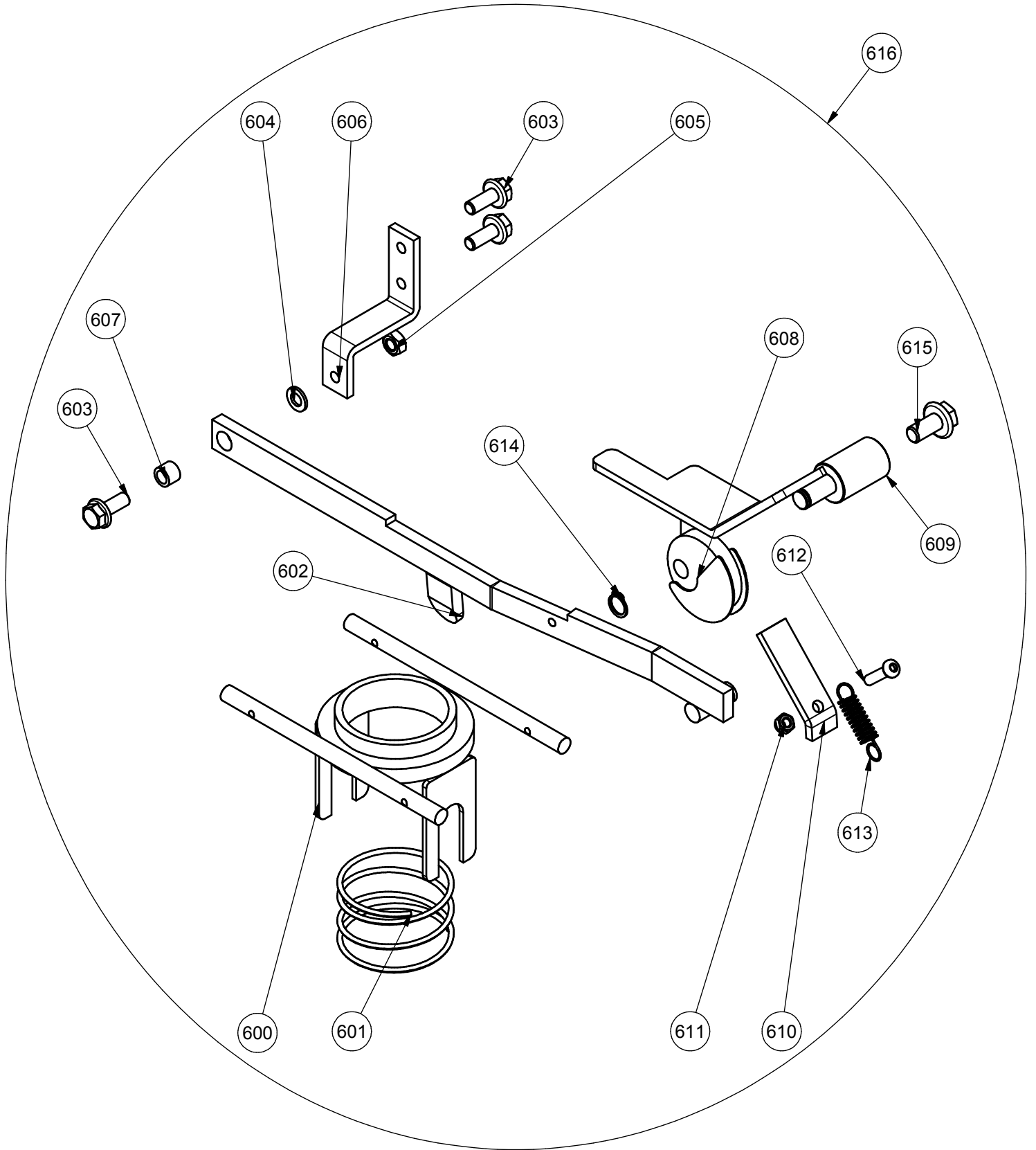
Handle



Spare Parts List EHL			Handel S699		19-04-12
Pos.	Part no.	Benævnelse	Description	Benennung	Pcs.
500	420033	Håndtag	Handle f/ELF - EHL	Deichsel	1
501	402356	Kontaktskærm f. vippekontakt	Contact carrier	Schalterschirm	2
502	982075	Vippekontakt	Tilting switch	Kippschalter	1
503	420191K	Nødstopholder m/nødstop kpl.	Emergencystop cpl. ELF/EHL	Notstopp kpl. mit Haltern	1
504	420315	Fjedertværpind	Transverse pin for spring	Querstift für Feder	1
505	958213	Trækfjeder	Compression spring	Zugfeder	1
506	993068	Gummiprop	Rubber plug	Gummi Stöpsel	1
511	150001	Håndtagskabel H	Handle cable	Deichselkabel	1
512	919515	Øjeskrue	Screw	Augenschraube	1
513	921050	Sikringsmøtrik	Lock nut M5 Din 985	Gegenmutter	1

EHL1004

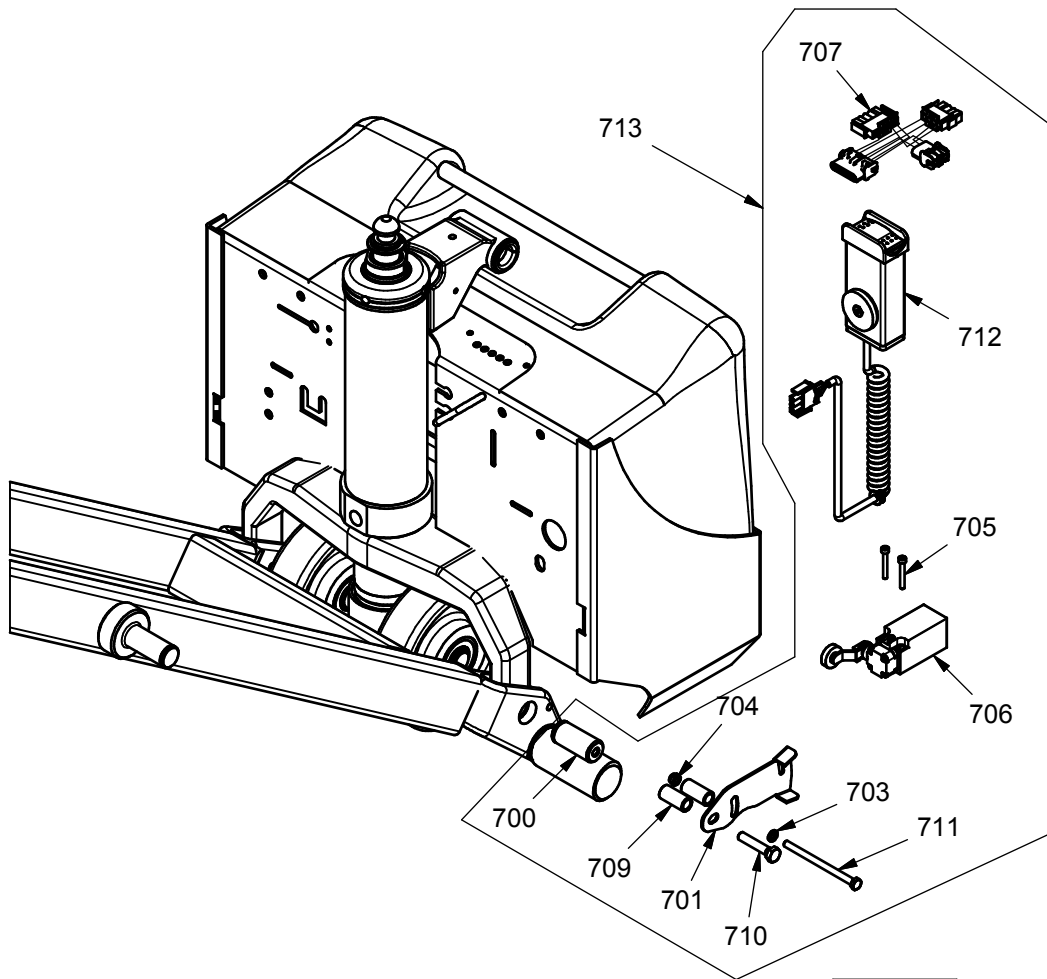
Parking brake



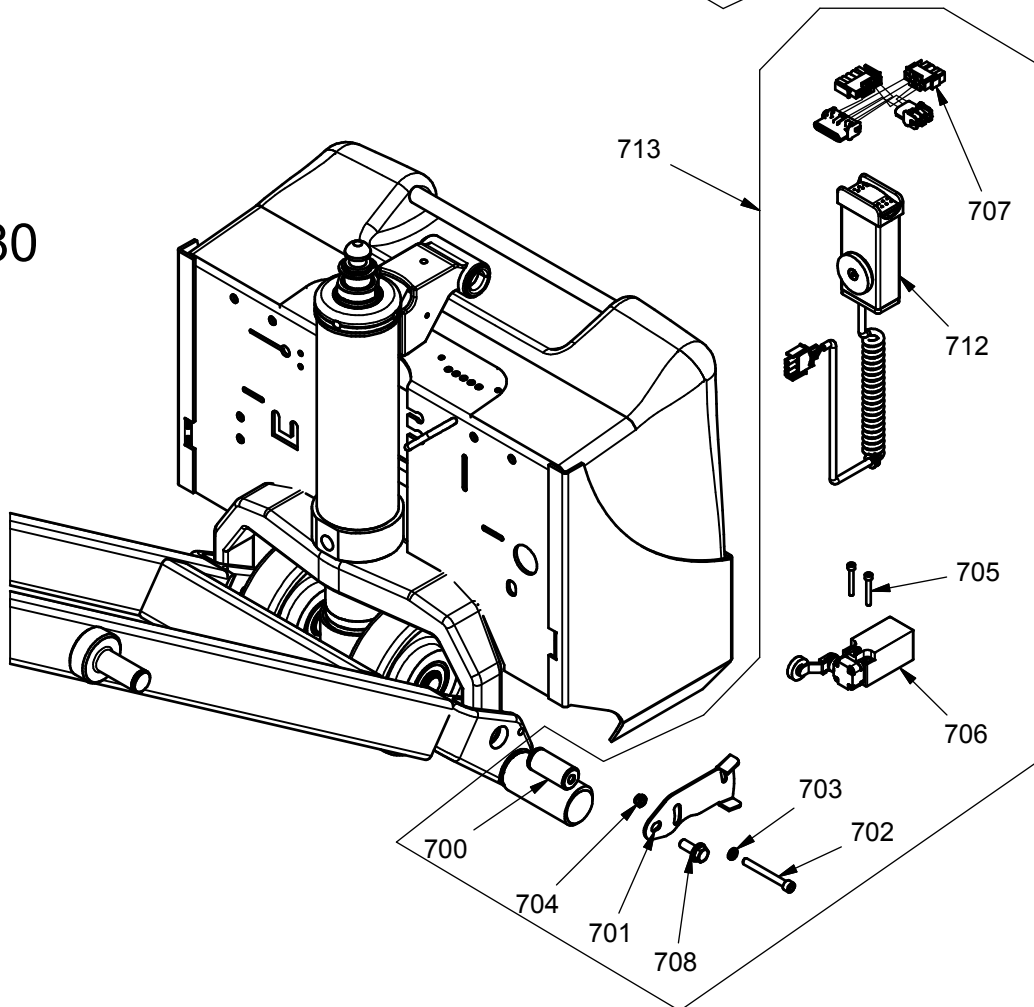
Spare Parts List		EHL	Parking brake S700	15-03-13	
Pos.	Part no.	Benævnelse	Description	Benennung	Pcs.
600	401805	Bremsedel	Brake component	Bremsteil	1
601	958342	Trykfjeder	Spring	Feder	1
602	402605	Trykarm f/bremse 540	Thrust support f/brake 540	Druckarm f/Bremse 540	0
	425461	Trykarm f/bremse 680	Thrust support f/brake 680	Druckarm f/Bremse 680	1
603	919820	RH skrue	RH Screw M8x20	Schraube	3
604	924080	Skive	Washer	Scheibe	1
605	922080	Møtrik	Nut	Mutter	1
606	425418	Monteringsvinkel	Angle plate for fittings	Montier-Winkeleisen	1
607	401790	Bøsning f/bremse	Bushing f/brake	Buchse f/Bremse	1
608	401080	Bremsepedal kpl.	Brake pedal cpl.	Bremspedal Kpl.	1
609	425420	Justeringstap f/bremse	Adjusting pin f/brake	Justierungsstift f/Bremse	1
610	425419	Stoparm f/bremse	Stop arm f/brake	Stopparm f/Bremse	1
611	921060	Sikringsmøtrik	Lock nut M6 Din 985	Gegenmutter	1
612	919625	Skrue	Screw	Schraube	1
613	958134	Trækfjeder	Draw spring	Zugfeder	1
614	933120	Låsering	Circlip	Schliessring	1
615	916120	Skrue M10x20	Hex Screw flan M10x20	Schraube M10x20	1
616	170422	Parkeringsbremse EHL1004 540	Parking brake EHL 1004 540	Feststellbremse EHL 1004 540	
	170423	Parkeringsbremse EHL1004 680	Parking brake EHL 1004 680	Feststellbremse EHL 1004 680	

EHL 1004 Topstop

480

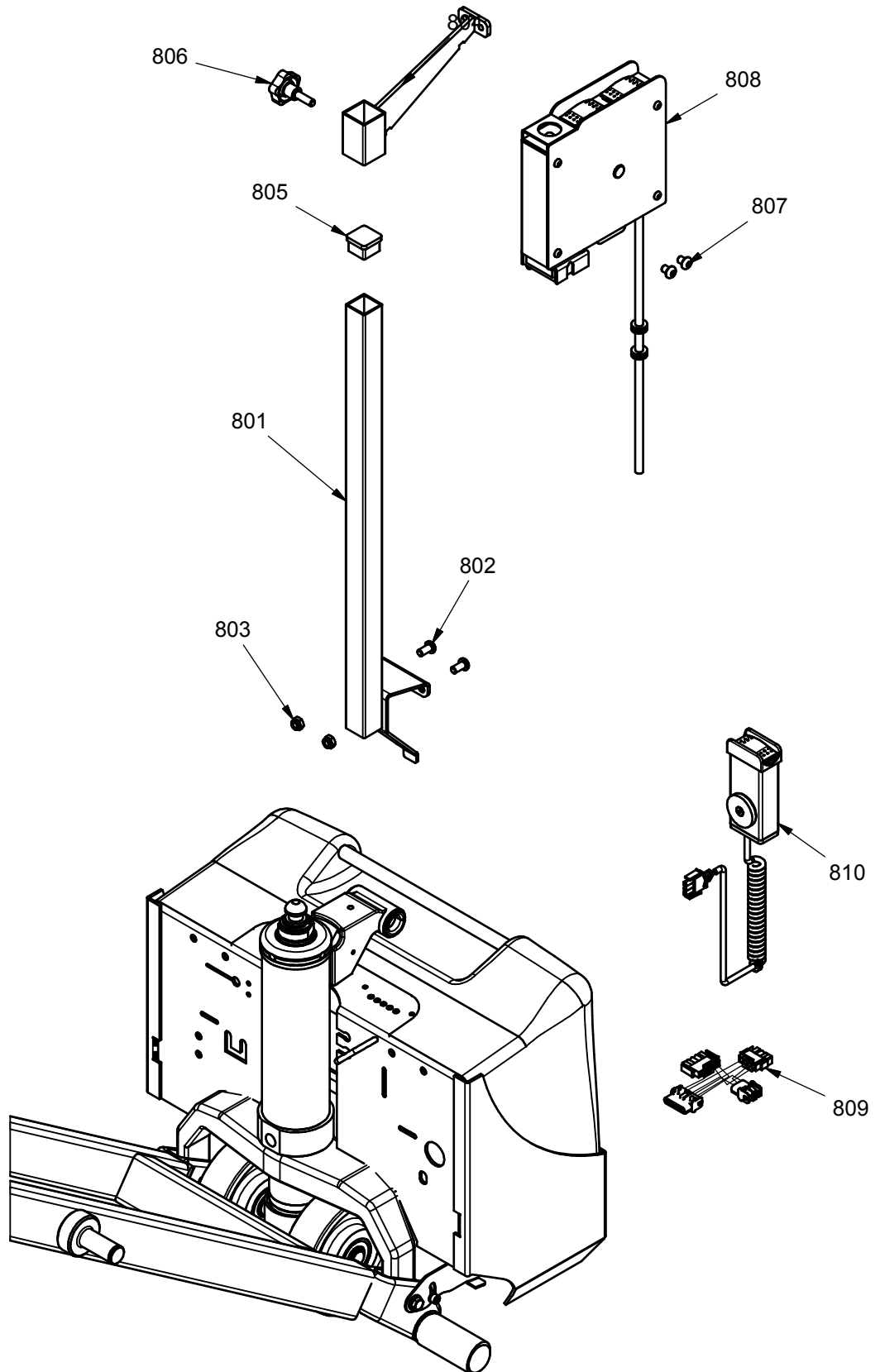


520, 680

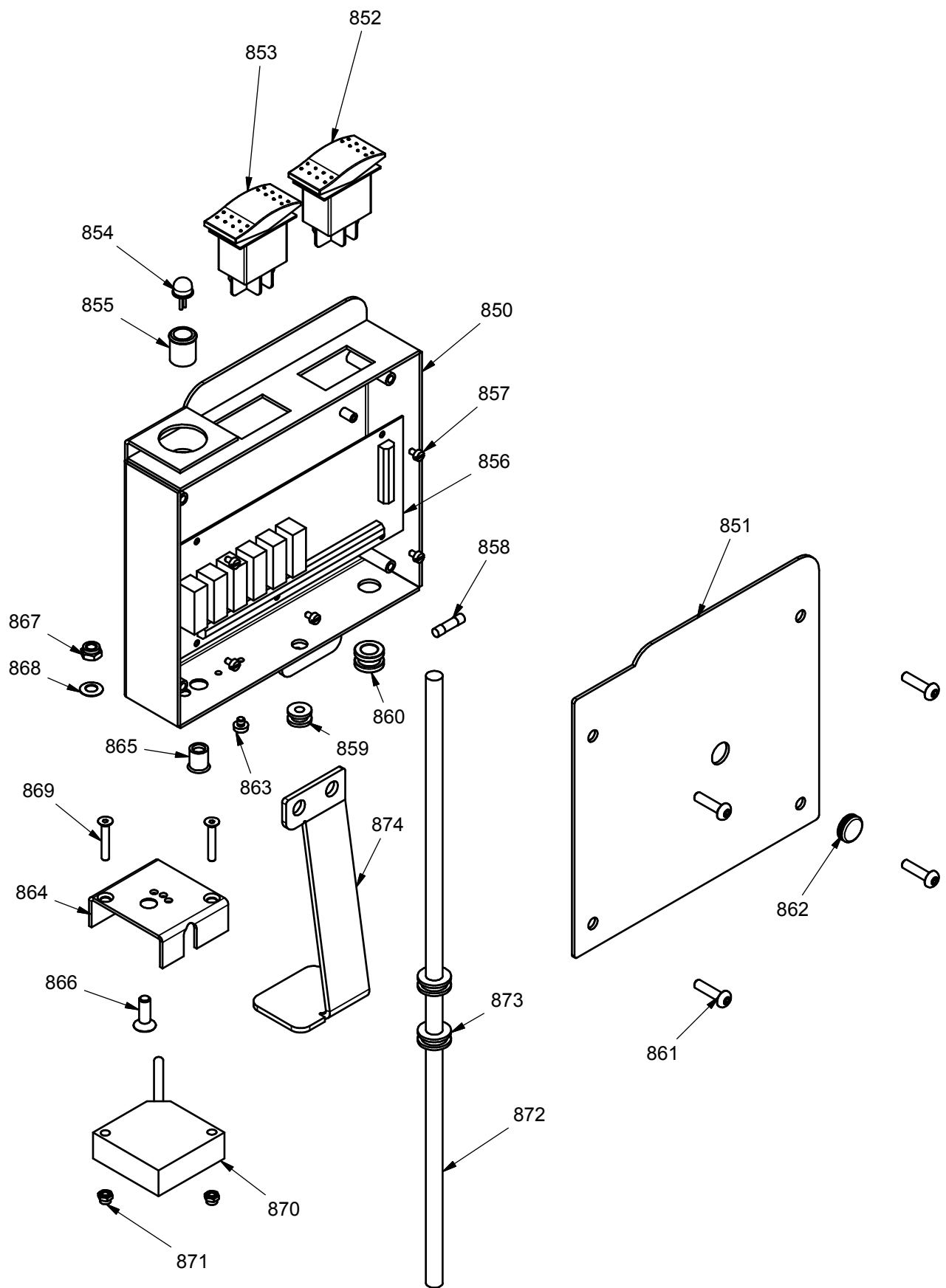


Spare Parts List			EHL	Topstop S827	15-03-13	
Pos.	Part no.	Benævnelse	Description	Benennung	Pcs.	
700	425430	Aksel	Axle	Achse	1	
701	425413	Aftasteplade f/switch	Plate for switch	Abtasterplatte f/Schalter	1	
	425438	Aftasteplade f/switch "680"	Switch plate "680"	Abtasterplatte Schalter "680"	1	
	425452	Aftaster topstop 540x1520+2000	Switch/top stop 540x1520+2000	Abtaster/Topstop 540x1520+2000	1	
	425453	Aftast bundstop 540x1520+2000	Switch/bott stop 540x1520+2000	Abtast/Bodenstop 540x1520+2000	1	
	425454	Aftaster topstop 680x1520+2000	Switch/top stop 680x1520+2000	Abtaster/Topstop 680x1520+2000	1	
	425455	Aftast bundstop 680x1520+2000	Switch/bott stop 680x1520+2000	Abtast/Bodenstop 680x1520+2000	1	
702	912655	Skrue	Screw	Schraube	1	
703	924061	Skive	Washer Ø6 Din 433	Scheibe	1	
704	921060	Sikringsmøtrik	Lock nut M6 Din 985	Gegenmutter	1	
705	912430	Skrue	Screw	Schraube	2	
706	170404	Stopswitch m/ledning+stik	Stop switch w/cable+plug	Stopschalter m/Kabel+Stecker	1	
707	140370	Adapter f/top.+fjernb.	Adaptor	Adapter	1	
708	916820	Skrue	Screw	Schraube	1	
709	425435	Afstandsør fjernbetj.	Spacer pipe, remote control	Abstandrohr, Fernbedienung	2	
710	915840	Skrue	Screw	Schraube	1	
711	915690	Sætskrue	Set screw	Gewindestift	1	
712	160186	Fjernbetjening	Remote control	Fernbedienung	1	
713	170410	Fjernbetjen. kpl. EHL1004 480	Remotecontrol cpl. EHL1004 480	Fernbedienung kpl. EHL1004 480	1	
	170412	Fjernbetjen. kpl. EHL1004 540	Remotecontrol cpl. EHL1004 540	Fernbedienung kpl. EHL1004 540	2	
	170413	Fjernbetjen. kpl. EHL1004 680	Remotecontrol cpl. EHL1004 680	Fernbedienung kpl. EHL1004 680	3	

EHL 1004 Level control



EHL 1004 Control box f/level control



Spare Parts List			EHL	Level control S702	15-03-13	
Pos.	Part no.	Benævnelse	Description	Benennung	Pcs.	
801	425231	Rør kpl.	Pipe cpl.	Rohr Kpl.	1	
802	919816	Skrue	Screw	Schraube	2	
803	921080	Sikringsmøtrik	Lock nut M8 Din 985	Gegenmutter	2	
804	425241	Styreboksholder (pos) kpl. 480	Holder level contr.box cpl 480	Halter Steuerkasten Kpl. 480	1	
	425236	Styreboksholder (pos) kpl. 540	Holder level control, cpl. 540	Halter Steuerkasten Kpl. 540		
	425242	Styreboksholder (pos) kpl 680	Level control box cpl 680	Halter Steuerkasten Kpl. 680		
805	993030	Dupsko	Plastic cover	Plastikdeckel	1	
806	995001	Stjergreb til pos.udstyr	Screw f. level control	Sternschraube f. Pos.-Kontr.	1	
807	919811	Skrue	Screw	Schraube	2	
808	170211	Styreboks kpl.	Control box cpl.	Steuerkasten Kpl.	1	
809	140369	Adapter f/pos + fjernb	Adapter f/lever co + remote	Adapter f/Pos. kontr. + fernb	1	
810	160186	Fjernbetjening	Remote control	Fernbedienung	1	
850	403674	Styrebox pos/2	Control box	Steuerkasten	1	
851	403615	Låg for styreboks pos-2	Cover	Deckel	1	
852	982136	Vippekontakt løft-sænk	Switch, up-down	Schalter, Auf-Ab	1	
853	982134	Vippekontakt on-off	Switch, on-off	Schalter, On-Off	1	
854	986095	Lysdiode for pos-2	Led	Diode	1	
855	986094	Lysdiodeholder for pos-2	Led holder	Diodehalter	1	
856	982540	Printplade til pos-2	Circuit board	Leiterplatte	1	
857	913305	Kærvskrue	Screw	Schraube	5	
858	986066	Finsikring 4 Amp	Fuse 4 Amp	Sicherung 4 Amp	1	
859	980220	Ledningsgennemføring	Cable lead-in	Kabeldurchführung	1	
860	530021	Ledningsgennemføring	Cable lead-in	Kabeldurchführung	1	
861	919520	Skrue	Screw	Schraube	4	
862	993066	Gummiprop	Rubber plug	Gummi Stöpsel	1	
863	913404	Ph skrue	Screw	Schraube	1	
864	403639	Fotocelleholder EHL pos-2	Photo cell holder	Halter f/Photozelle	1	
865	929024	Patronkuglelås	Collet ball catch	Patronenkugelsperre	1	
866	911618	Skrue	Screw	Schraube	1	
867	921060	Sikringsmøtrik	Lock nut M6 Din 985	Gegenmutter	1	
868	925061	Buet fjederskive	Spring cap	Druckscheibe	1	
869	911425	Skrue	Screw	Schraube	2	
870	989011	Fotocelle 12V	Photo cell 12V	Photozelle 12V	1	
871	921040	Låsemøtrik	Lock nut M4 Din 985	Gegenmutter	2	
872	170205	Kabel for pos-2	Cable For Level Control	Kabel für Pos.Kontrolle	1	
873	980223	Kabelgennemføring	Cable lead-in	Kabeldurchführung	2	
874	403803	Støtteben pos-2 Boks/EHL	Support leg	Stütze	1	